

VDM70-10-L/87/122/160

Distance measurement device

VDM70-10-L/87/122/160

with 12-pin, M16 connector



- ◆ Device for distance measurement using object
- ◆ Can be aligned using an integrated pilot laser
- ◆ SSI interface
- ◆ Adjustable switch outputs
- ◆ Not sensitive to ambient light
- ◆ Analogue output 4 mA ... 20 mA

General specifications

Light source	laser diode
Approvals	CE, cULus
Laser class	1 EN 60825-1
Alignment aid	adjustment laser , Laser class 2
Linearity error	+/- 8 mm
Measurement range	0.5 ... 10 m by 90 % reflection (white)
Reference target	Kodak white (90%)
Light type	IR-laser 900 nm adjustment laser red light 650 nm
Diameter of the light spot	3 mm x 10 mm at a distance of 4 m
Resolution	0.1 mm or 0.125 mm
Hysteresis H	min. 10 mm (adjustable)
Temperature influence	< ± 5 mm absolute

Indicators/operating means

Operating display	LED green
Function display	LED yellow: switching state , LED orange : error message
Operating elements	Keypad (3 membrane keys) for parameter settings on the LCD display

Electrical specifications

Operating voltage	18 ... 30 V DC
Protection class	II
Ripple	10 % within the supply tolerance
No-load supply current I ₀	190 mA

Output

Interfaces	RS 422, SSI
Signal output	2 pnp, short-circuit proof, protected against reverse polarity
Switching current	100 mA
Measurement output	1 analogue output 4 ... 20 mA, short-circuit/overload protected
Response time	12 ms
Repeat accuracy R	± 4 mm
Other outputs	Service output, plausibility output, PNP, short-circuit proof 50 mA

Standard conformity

Standards	EN 60947-5-2
-----------	--------------

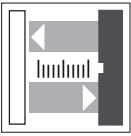
Ambient conditions

Ambient temperature	-10 ... 50 °C (263 ... 323 K)
Storage temperature	-30 ... 75 °C (243 ... 348 K)

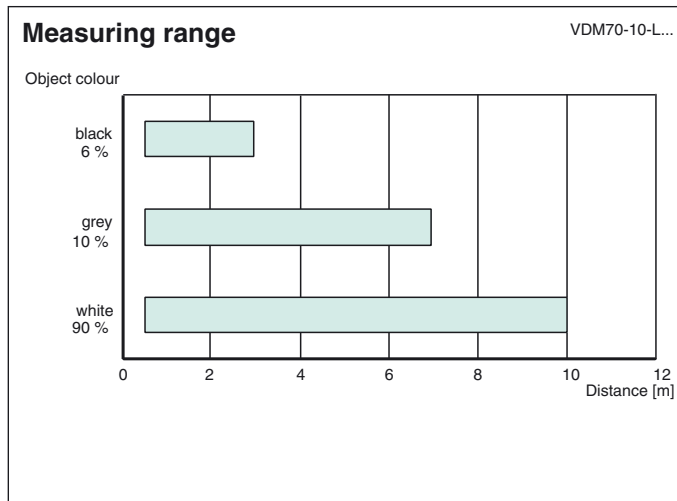
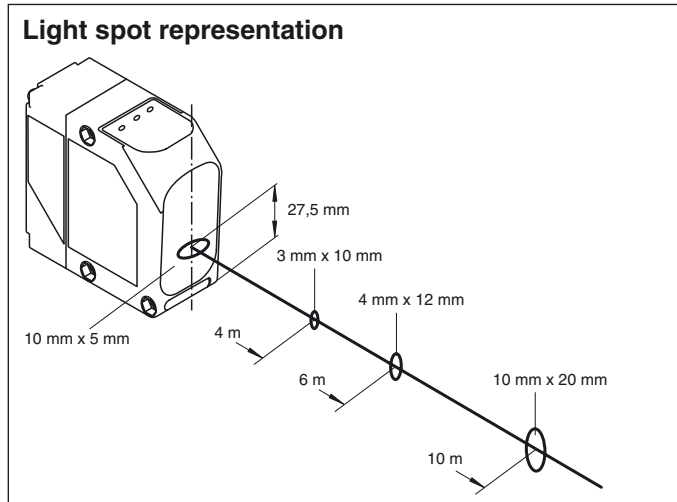
Mechanical specifications

Protection degree	IP67
Connection	with 12-pin, M16 connector
Material	
Housing	ABS
Optical face	PMMA
Mass	230 g

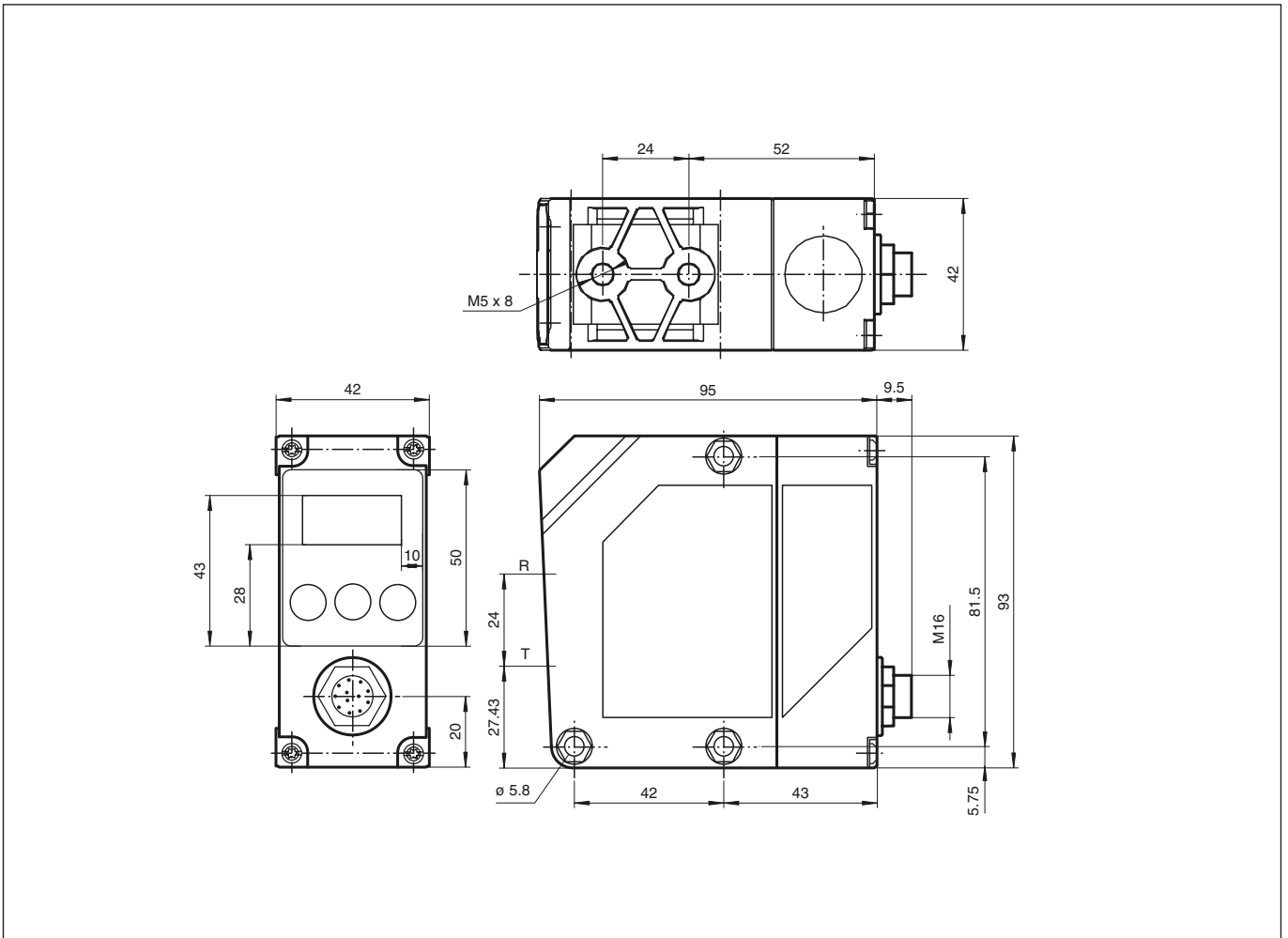
Release date: 2007-02-26 13:22 Date of issue: 2007-02-27 197452_ENG.xml



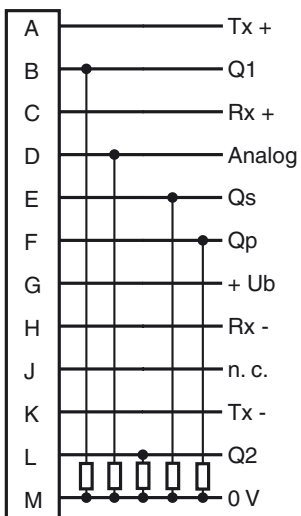
Curves/Diagrams



Dimensions



electrical connection



o = light ON, • = dark ON

Release date: 2007-02-26 13:22 Date of issue: 2007-02-27 197452_ENG.xml